



GuangDong ZhaoQing DETON CO., Ltd certifies that the DTC series for model DTC9-9, DTC10-10, DTC12-12 and DTC15-15 shown herein are licensed to bear the AMCA Seal. The ratings shown are based on tests and procedures performed in accordance with AMCA Publication 211 and AMCA Publication 311 and comply with the requirements of the AMCA Certified Ratings Program.



DTC带式传动空调风机

前倾英制叶轮
带式传动

DTC Series
DWDI, Forward Blades
CENTRIFUGAL FAN



广东肇庆德通有限公司
GuangDong zhaoping DETON Co., Ltd.
July 2011

产品命名方式 Designation of Products



产品特征 Technical specification

- 叶轮:** 叶轮采用前弯多翼式设计, 具有效率高、低噪声的特点。叶轮全部用镀锌板冲压而成, 具有使用寿命高的特点。

Wheel: The impeller of DTC have forward curved multi-blades in order to obtain max,efficiency and low noise level. The impeller is manufactured in galvanized steel.
- 机壳:** 机壳采用优质热镀锌钢板制成, 侧板采用数控激光切割而成保证高精度的型线。侧板与涡板之间采用碰焊工艺连接。

Scroll: made of high grade galvanized steelsheet, and it is cutted by laser-cutting machine with high quality.
- 框架:** 框架采用折边角钢焊接或TOX铆接而成。

Frame: made of galvanized angle sections steel .
- 轴承:** 轴承采用优质调心滚珠轴承。

Bearing: out-spherical ball bearing are used in DTC
- 主轴:** 主轴采用优质45号钢精加工而成, 确保主轴的尺寸及行位公差。每根主轴都经过防锈处理。

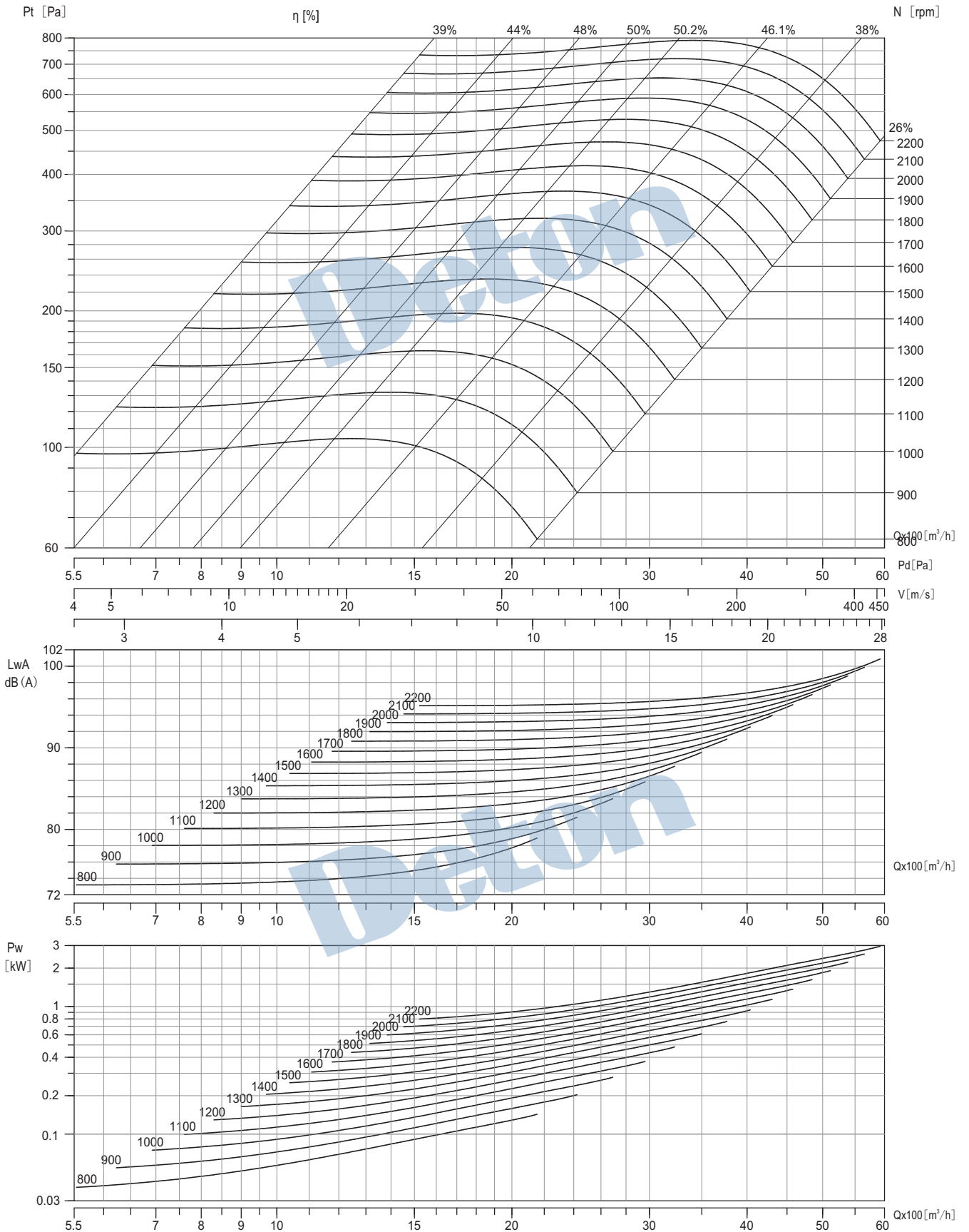
Shaft: the shaft is made of C45 carbon steel with high tolerance levels.shaft is provided corrosion resistance.
- 平衡:** 每个叶轮在装配前都经过动平衡, 平衡精度满足ISO1940 和AMCA204 标准中G4.0标准。

Balance: all wheel are statically and dynamically balanced to ISO1940 and AMCA 204-G4.0 standard.



DTC7-7

Air Density: 1.2 kg/m³



DTC Series

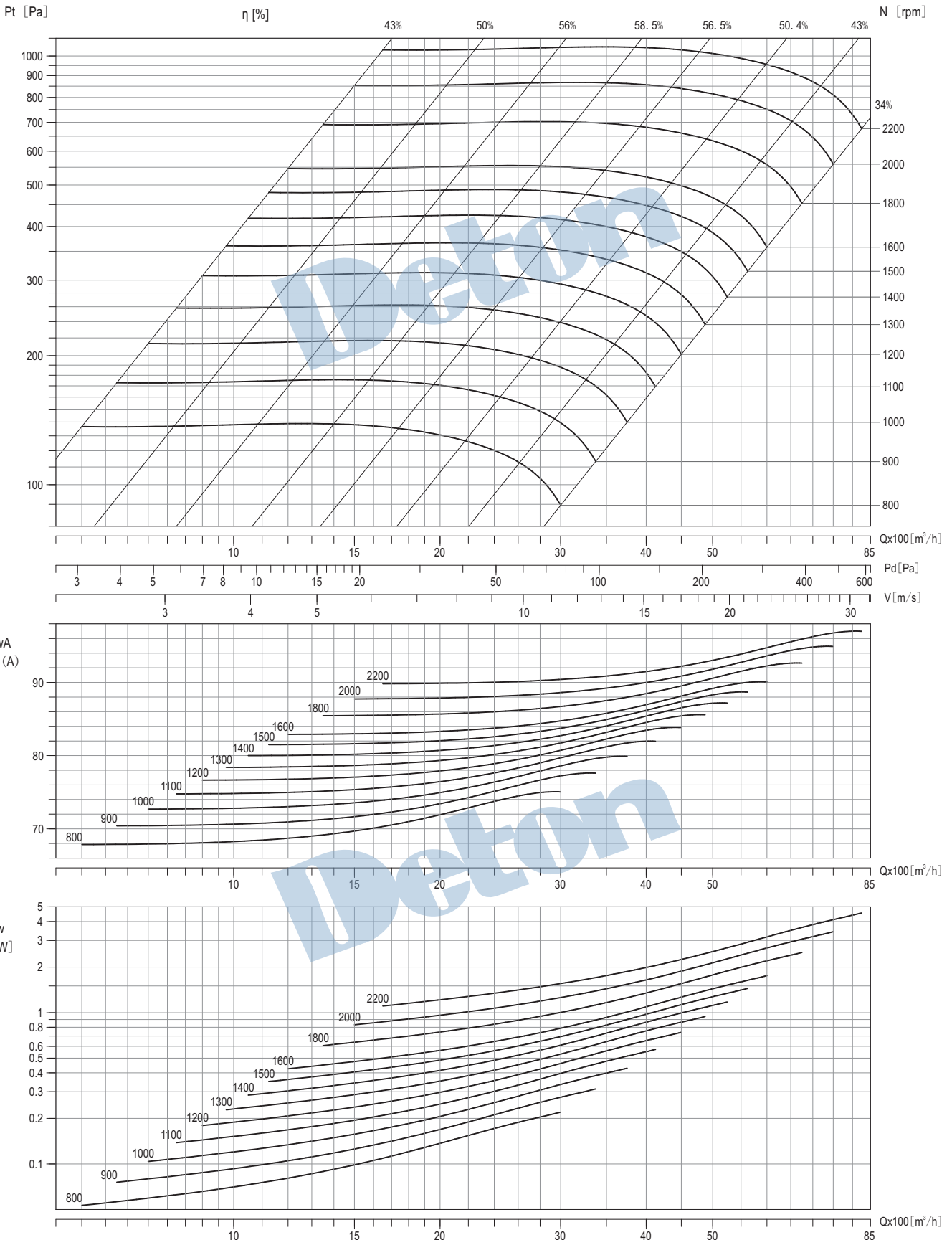
Performance certified is for installation type B-Free inlet, Ducted outlet. Performance ratings do not include the effects of appurtenances (accessories). Power rating kW does not include transmission losses. The A-weighted sound ratings shown have been calculated per AMCA International standard 301. Values shown are for inlet LwA sound power levels for Installation type B: free inlet, ducted outlet.

MODEL DTC7-7 IS NOT LICENSED TO BEAR THE AMCA CERTIFIED RATINGS SEAL.



DTC8-8

Air Density: 1.2 kg/m³

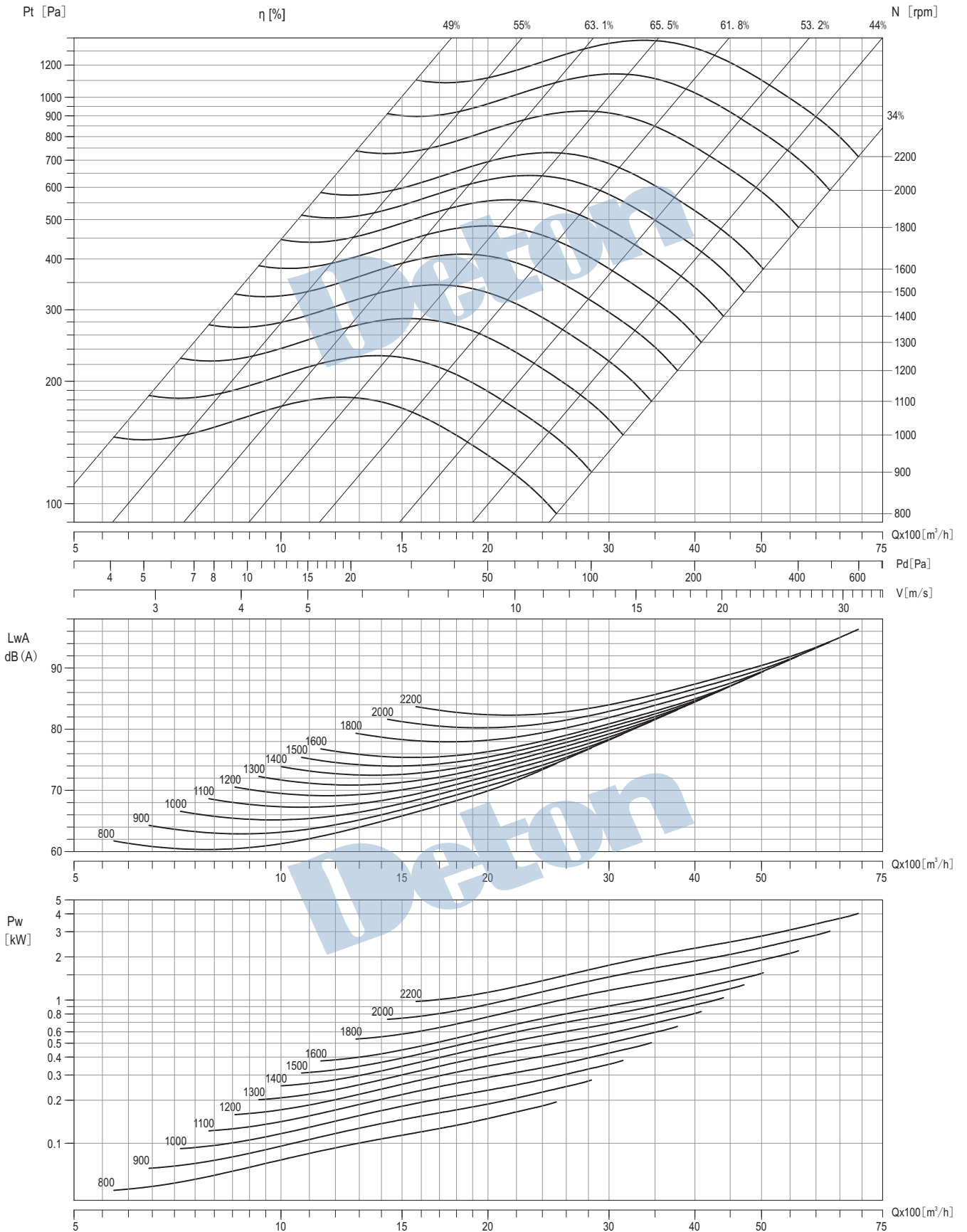


Performance certified is for installation type B-Free inlet, Ducted outlet. Performance ratings do not include the effects of appurtenances (accessories). Power rating kW does not include transmission losses. The A-weighted sound ratings shown have been calculated per AMCA International standard 301. Values shown are for inlet L_{wA} sound power levels for Installation type B: free inlet, ducted outlet.

MODEL DTC8-8 IS NOT LICENSED TO BEAR THE AMCA CERTIFIED RATINGS SEAL.

DTC9-7

Air Density: 1.2 kg/m³



DTC Series

Performance certified is for installation type B-Free inlet, Ducted outlet. Performance ratings do not include the effects of appurtenances (accessories). Power rating kW does not include transmission losses. The A-weighted sound ratings shown have been calculated per AMCA International standard 301. Values shown are for inlet LwA sound power levels for Installation type B: free inlet, ducted outlet.

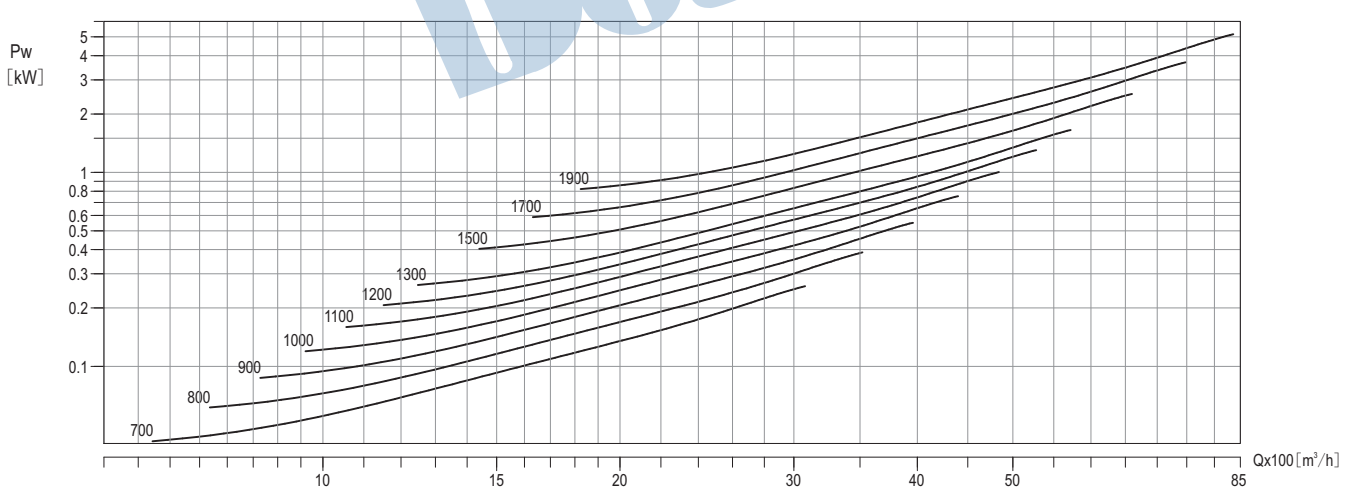
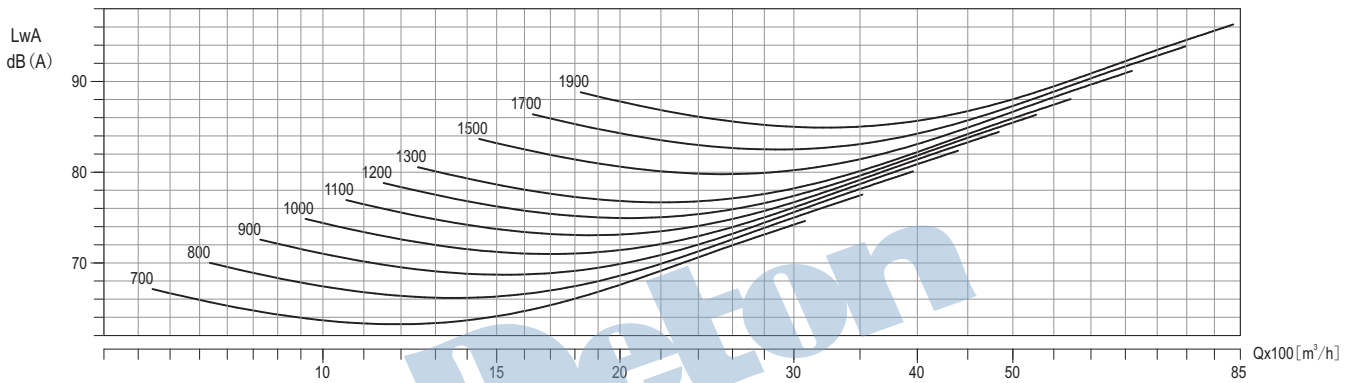
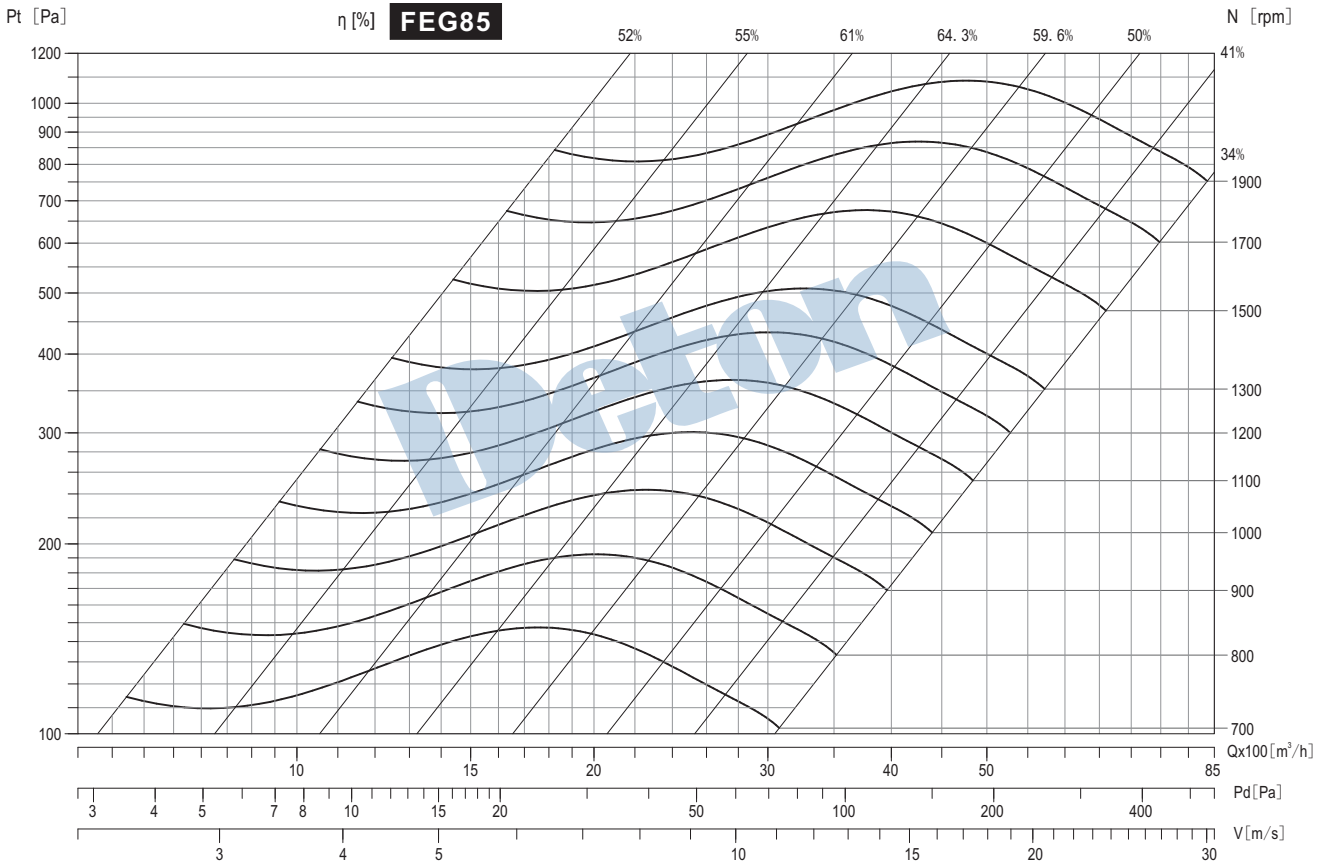
MODEL DTC9-7 IS NOT LICENSED TO BEAR THE AMCA CERTIFIED RATINGS SEAL.



DTC系列前倾空调风机

DTC9-9

Air Density: 1.2 kg/m³



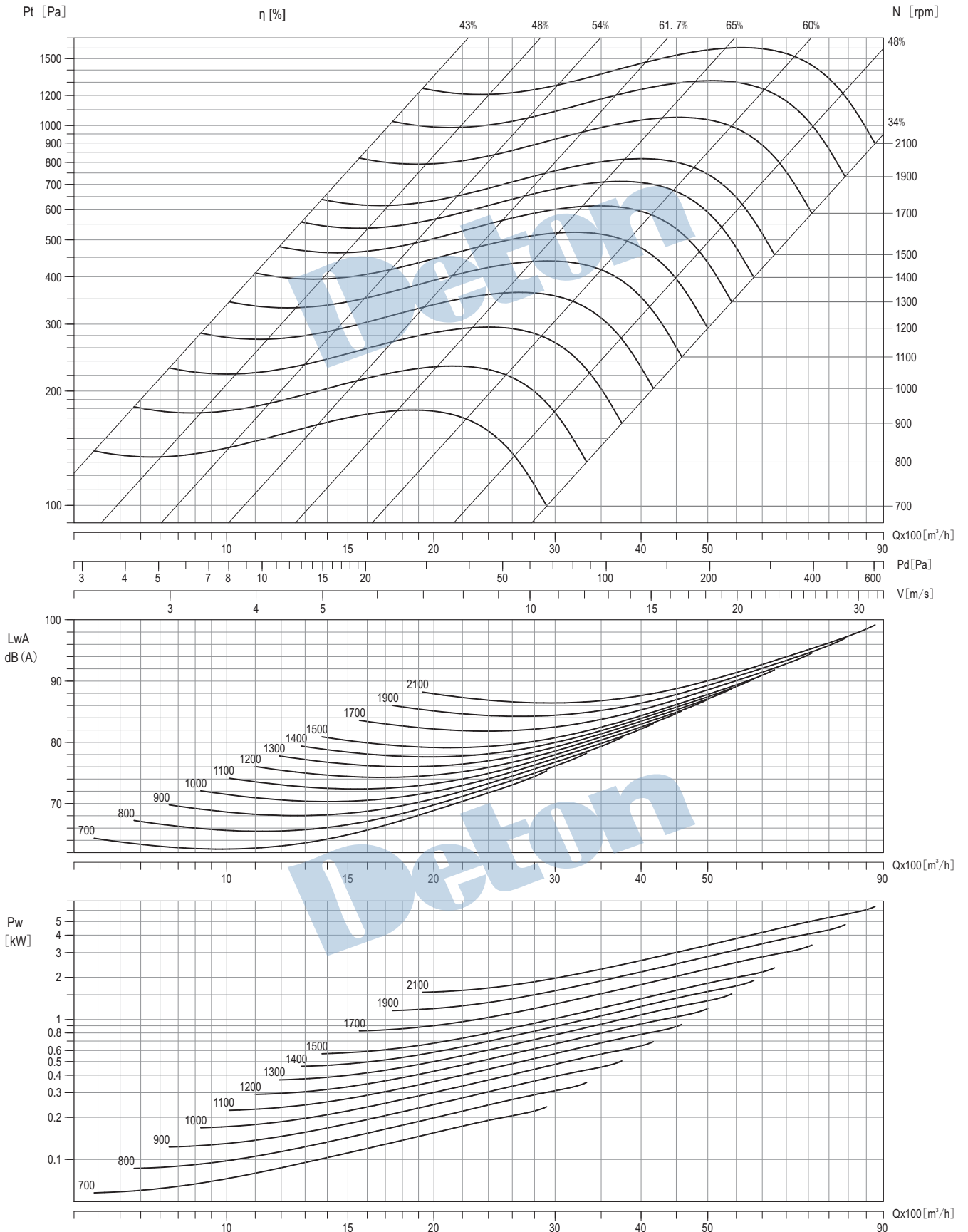
Performance certified for installation type B-Free inlet, Ducted outlet. Performance ratings do not include the effects of appurtenances (accessories). Power rating kW does not include transmission losses. The A-weighted sound ratings shown have been calculated per AMCA International standard 301. Values shown are for inlet LwiA sound power levels for Installation type B: free inlet, ducted outlet.

DTC Series



DTC10-8

Air Density: 1.2 kg/m³



DTC Series

Performance certified is for installation type B-Free inlet, Ducted outlet. Performance ratings do not include the effects of appurtenances (accessories). Power rating kW does not include transmission losses. The A-weighted sound ratings shown have been calculated per AMCA International standard 301. Values shown are for inlet LwiA sound power levels for Installation type B: free inlet, ducted outlet.

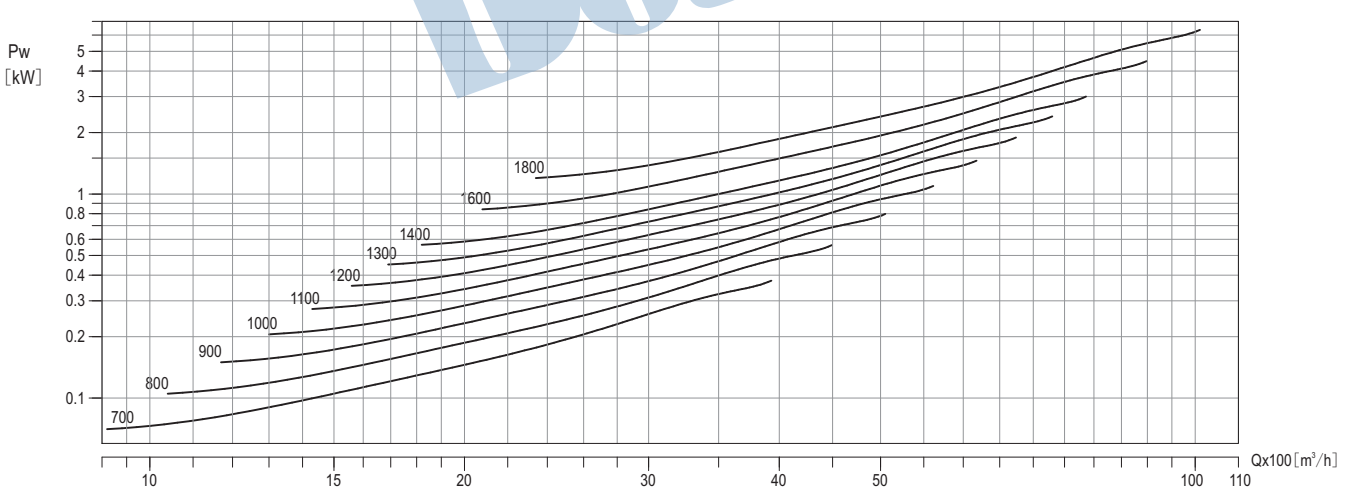
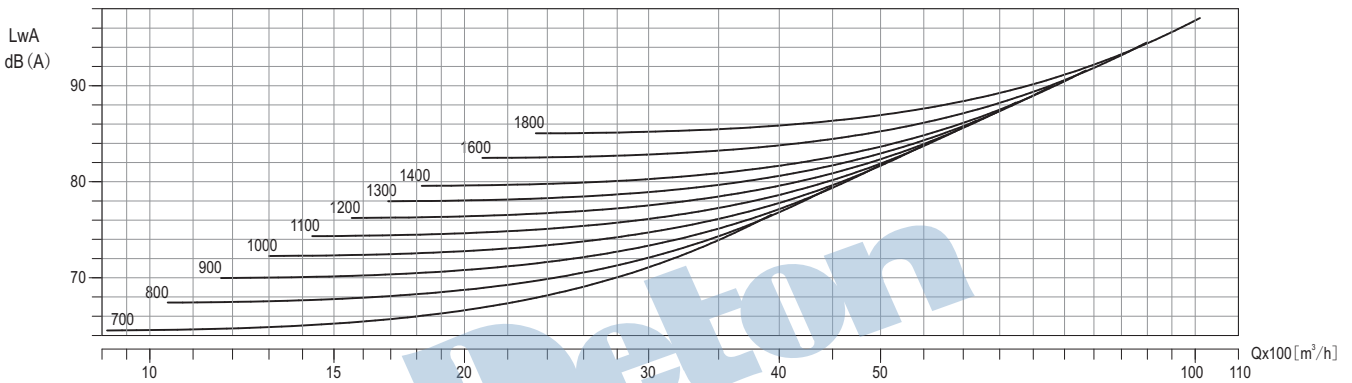
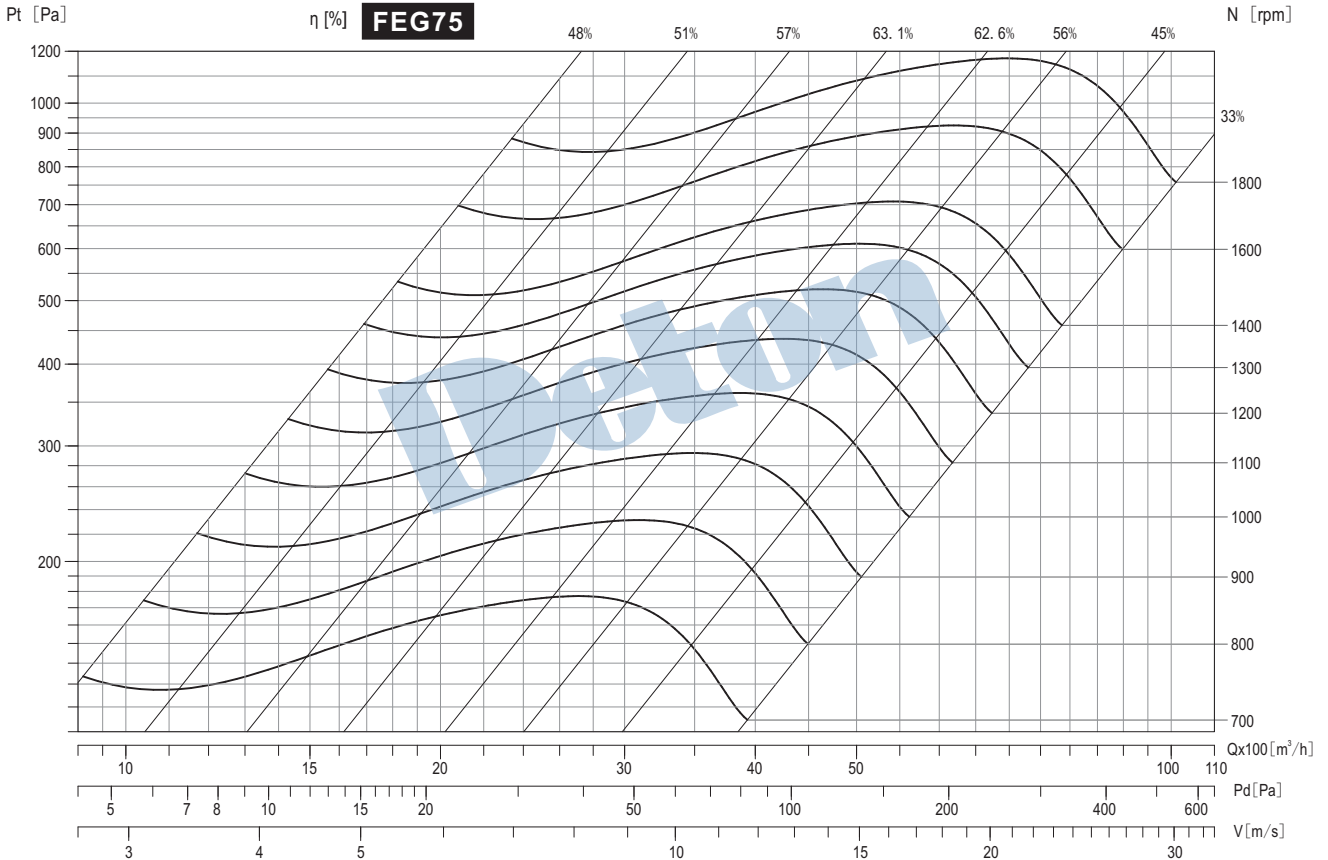
MODEL DTC10-8 IS NOT LICENSED TO BEAR THE AMCA CERTIFIED RATINGS SEAL.



DTC系列前倾空调风机

DTC10-10

Air Density: 1.2 kg/m³

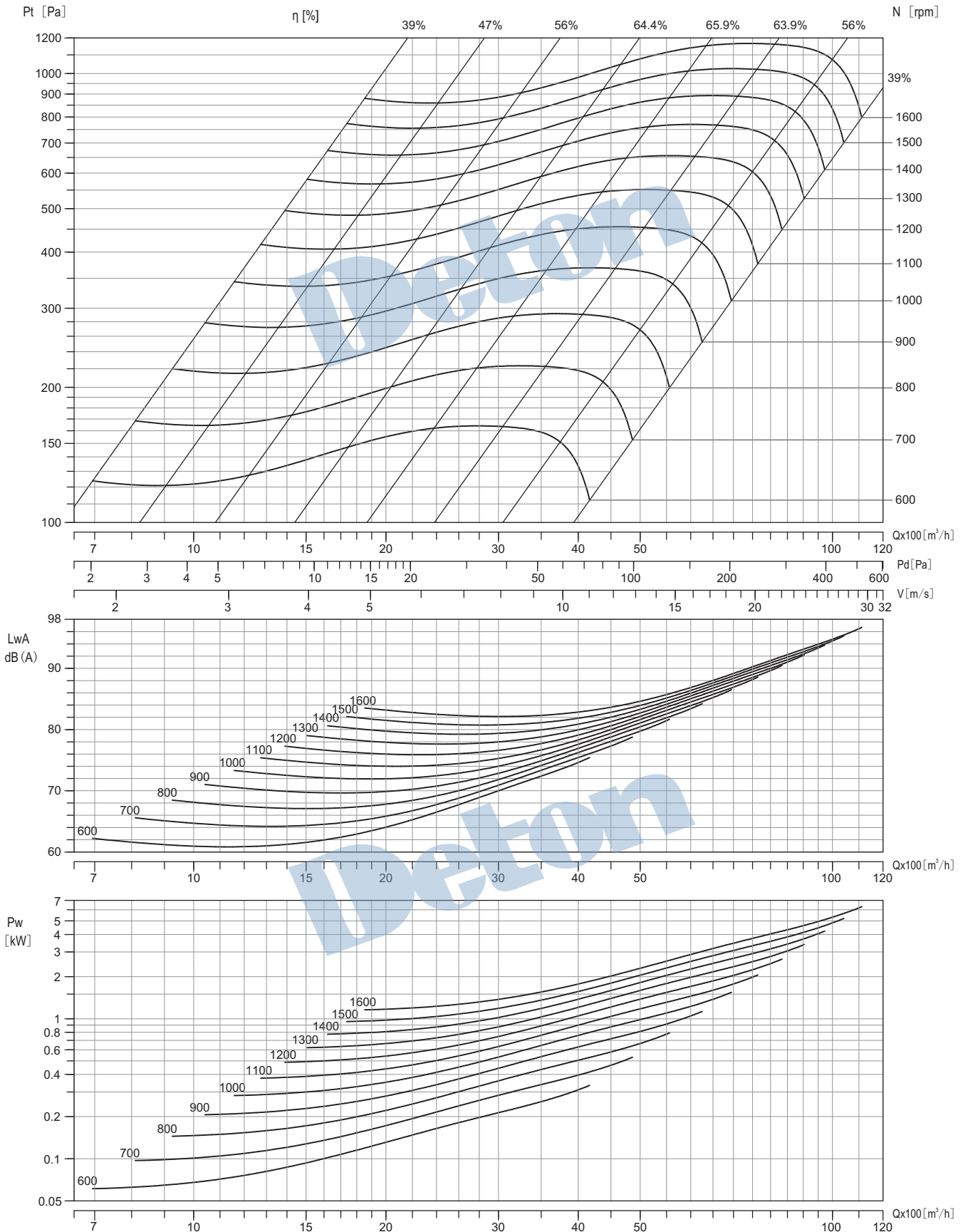


Performance certified for installation type B-Free inlet, Ducted outlet. Performance ratings do not include the effects of appurtenances (accessories). Power rating kW does not include transmission losses. The A-weighted sound ratings shown have been calculated per AMCA International standard 301. Values shown are for inlet LwiA sound power levels for Installation type B: free inlet, ducted outlet.

DTC Series

DTC12-9

Air Density: 1.2 kg/m³



Performance certified is for installation type B-Free inlet, Ducted outlet. Performance ratings do not include the effects of appurtenances (accessories). Power rating kW does not include transmission losses. The A-weighted sound ratings shown have been calculated per AMCA International standard 301. Values shown are for inlet LwA sound power levels for Installation type B: free inlet, ducted outlet.

MODEL DTC12-9 IS NOT LICENSED TO BEAR THE AMCA CERTIFIED RATINGS SEAL.

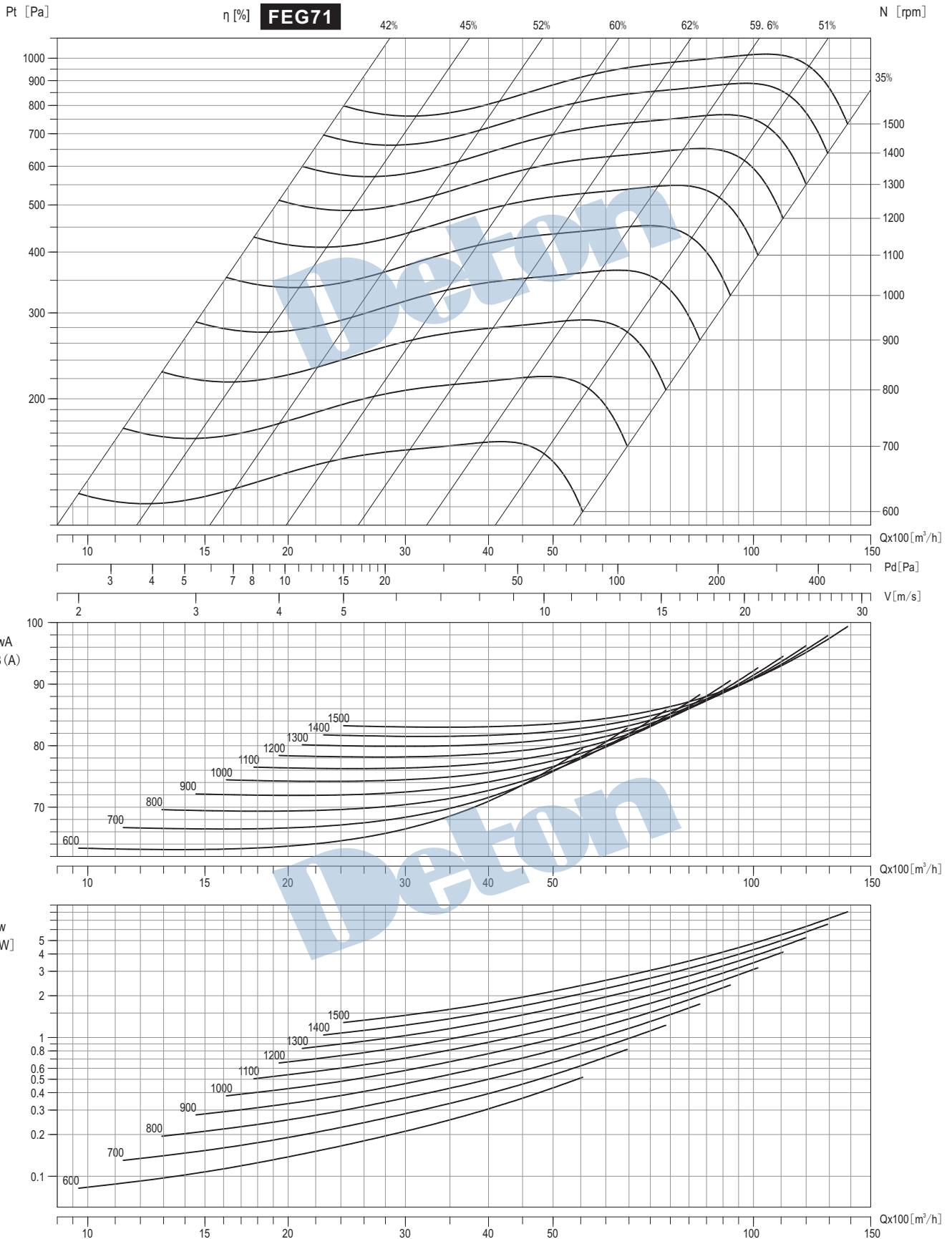
DTC Series



DTC系列前倾空调风机

DTC12-12

Air Density: 1.2 kg/m³



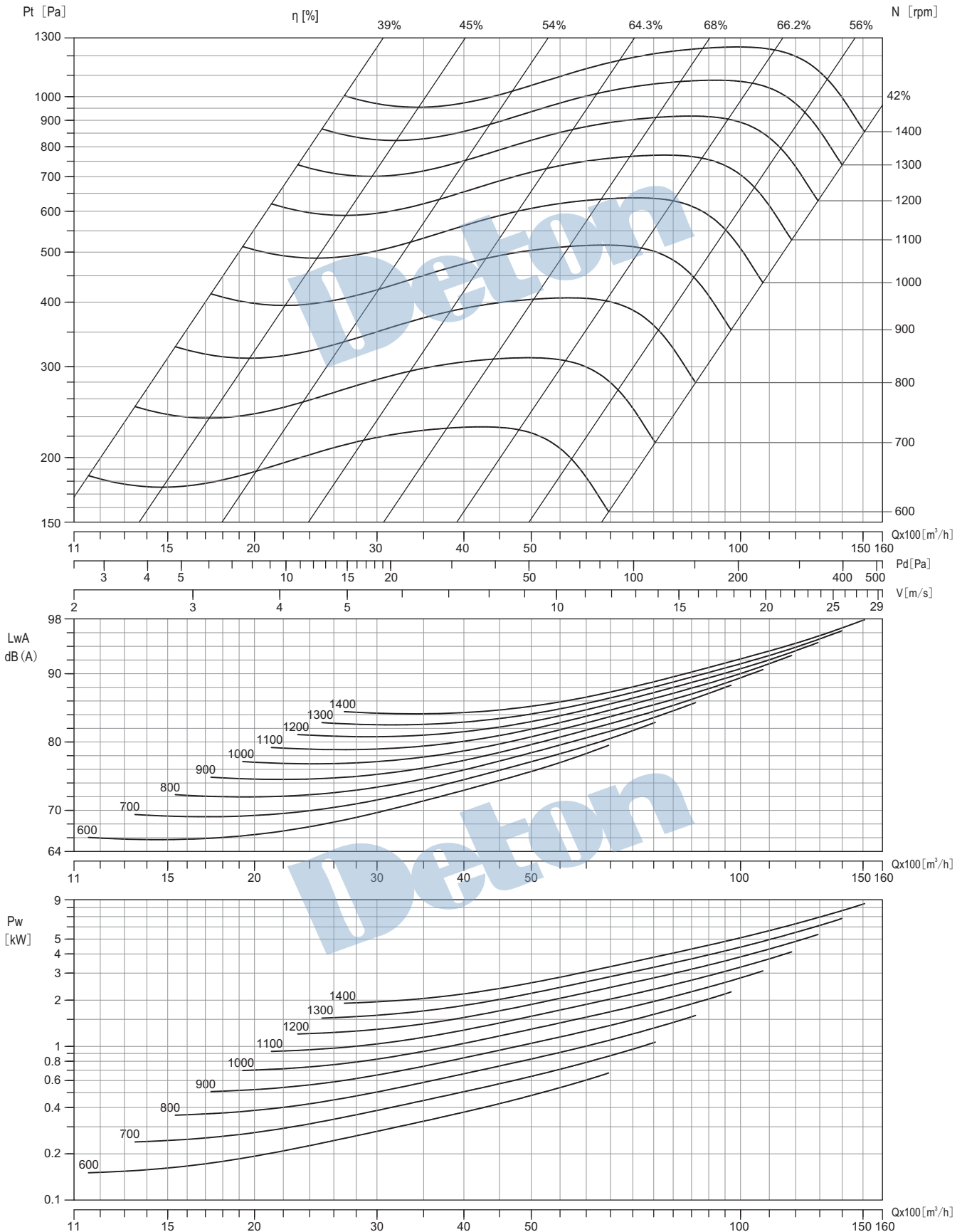
Performance certified is for installation type B-Free inlet, Ducted outlet. Performance ratings do not include the effects of appurtenances (accessories). Power rating kW does not include transmission losses. The A-weighted sound ratings shown have been calculated per AMCA International standard 301. Values shown are for inlet LwiA sound power levels for Installation type B: free inlet, ducted outlet.

DTC Series



DTC15-11

Air Density: 1.2 kg/m³



DTC Series

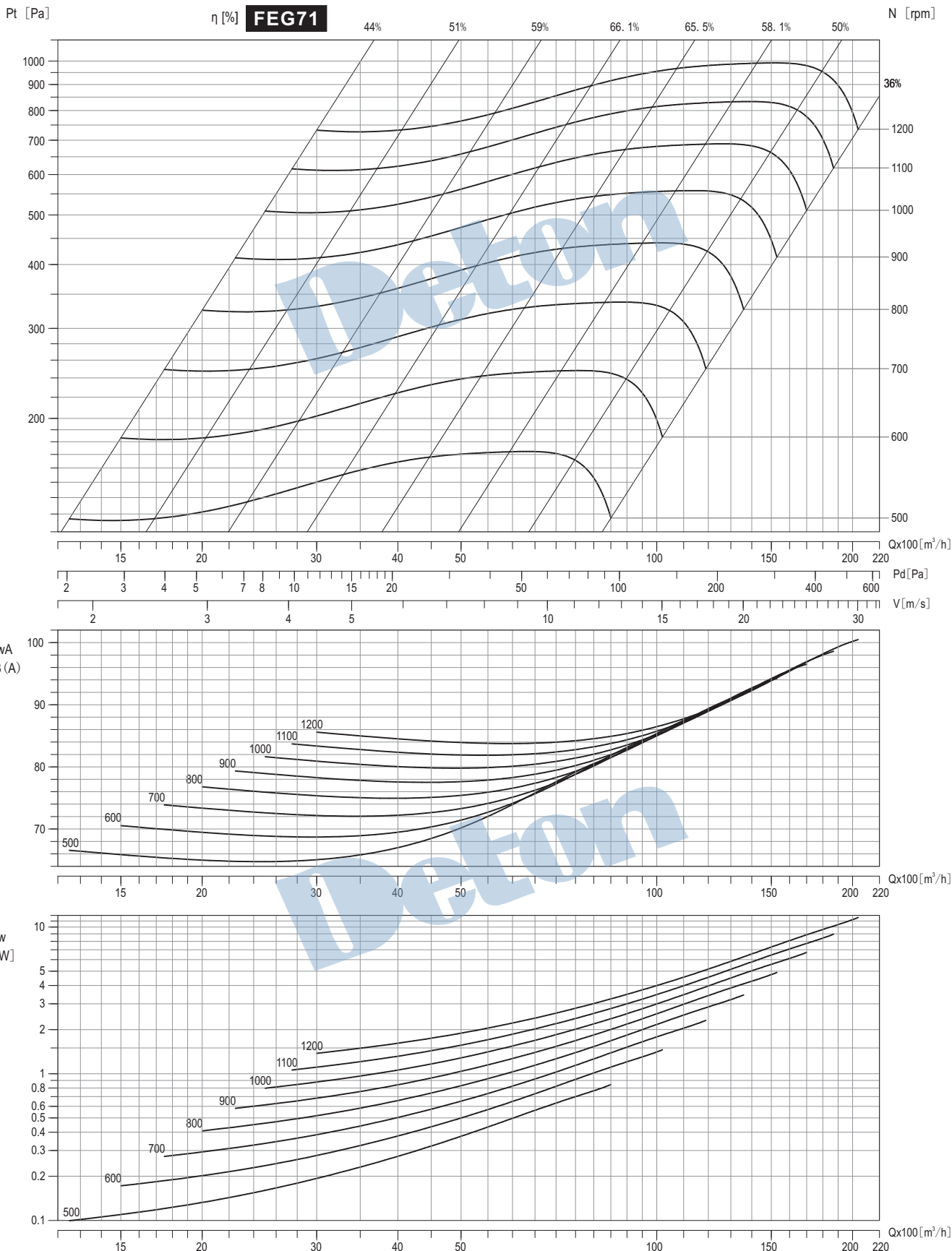
Performance certified is for installation type B-Free inlet, Ducted outlet. Performance ratings do not include the effects of appurtenances (accessories). Power rating kW does not include transmission losses. The A-weighted sound ratings shown have been calculated per AMCA International standard 301. Values shown are for inlet L_{wA} sound power levels for Installation type B: free inlet, ducted outlet.

MODEL DTC15-11 IS NOT LICENSED TO BEAR THE AMCA CERTIFIED RATINGS SEAL.



DTC15-15

Air Density: 1.2 kg/m³

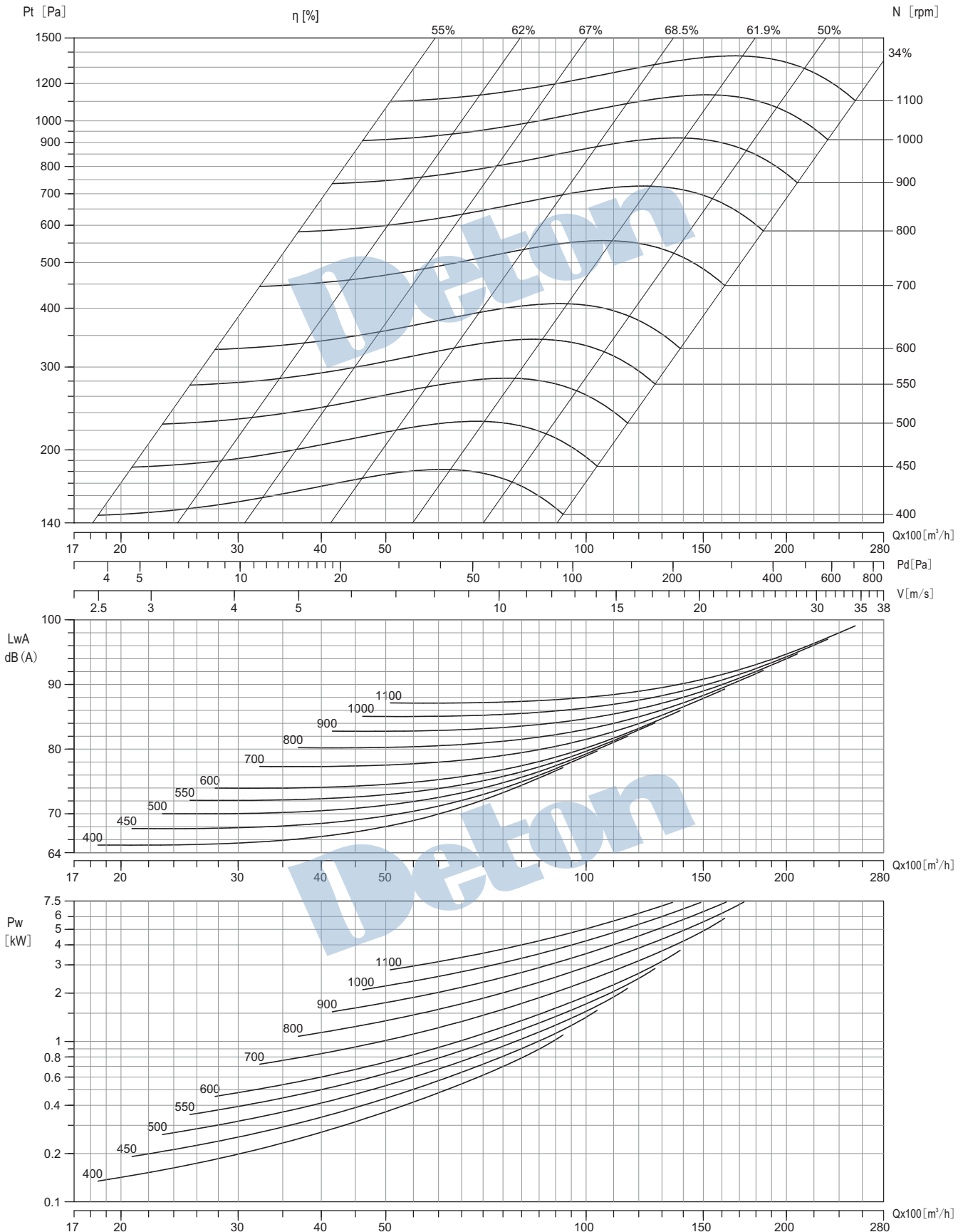


Performance certified is for installation type B-Free inlet, Ducted outlet. Performance ratings do not include the effects of appurtenances (accessories). Power rating kW does not include transmission losses. The A-weighted sound ratings shown have been calculated per AMCA International standard 301. Values shown are for inlet LwiA sound power levels for Installation type B: free inlet, ducted outlet.



DTC18-13

Air Density: 1.2 kg/m³



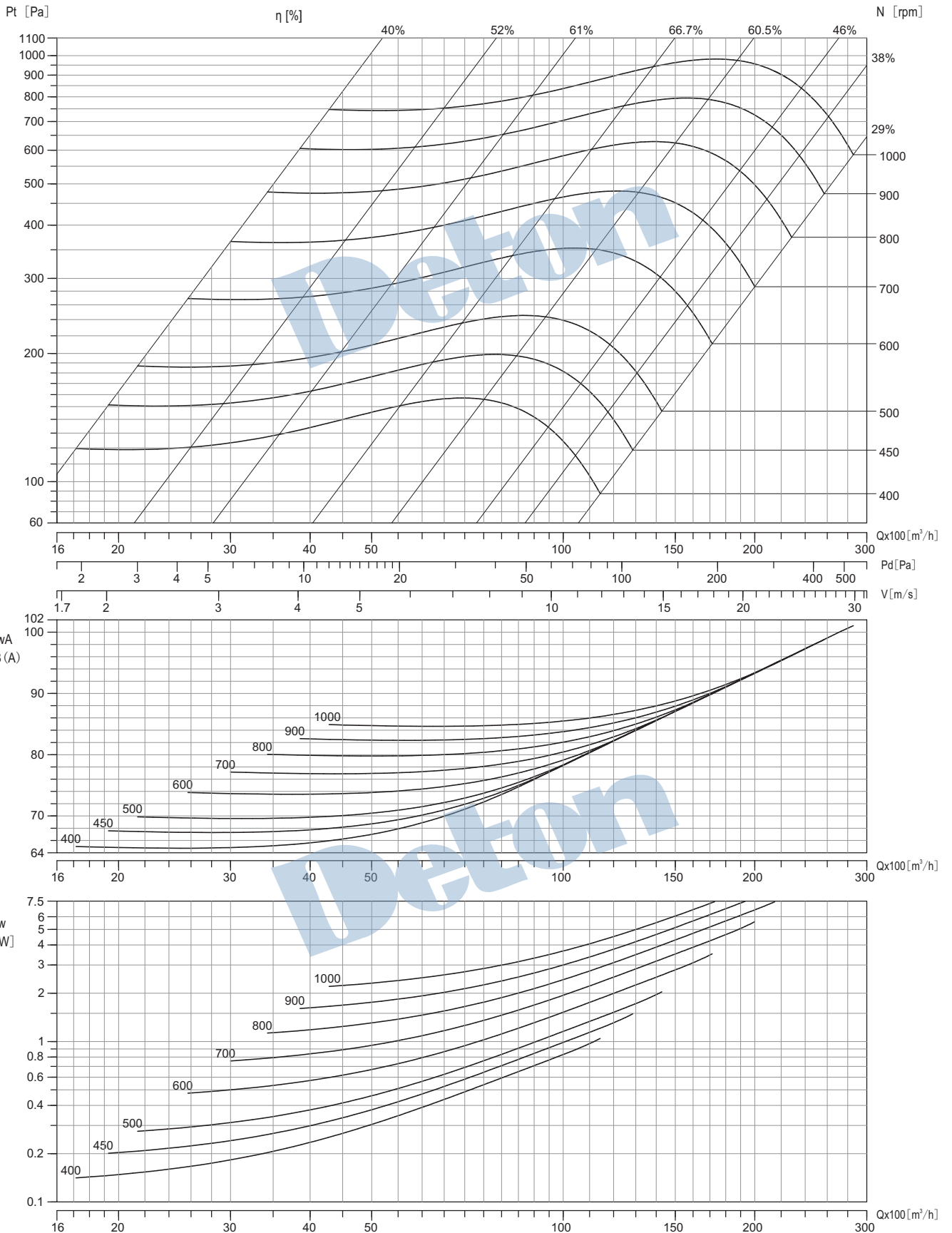
DTC Series

Performance certified for installation type B-Free inlet, Ducted outlet. Performance ratings do not include the effects of appurtenances (accessories). Power rating kW does not include transmission losses. The A-weighted sound ratings shown have been calculated per AMCA International standard 301. Values shown are for inlet LwA sound power levels for Installation type B: free inlet, ducted outlet.
 MODEL DTC18-13 IS NOT LICENSED TO BEAR THE AMCA CERTIFIED RATINGS SEAL.



DTC18-18

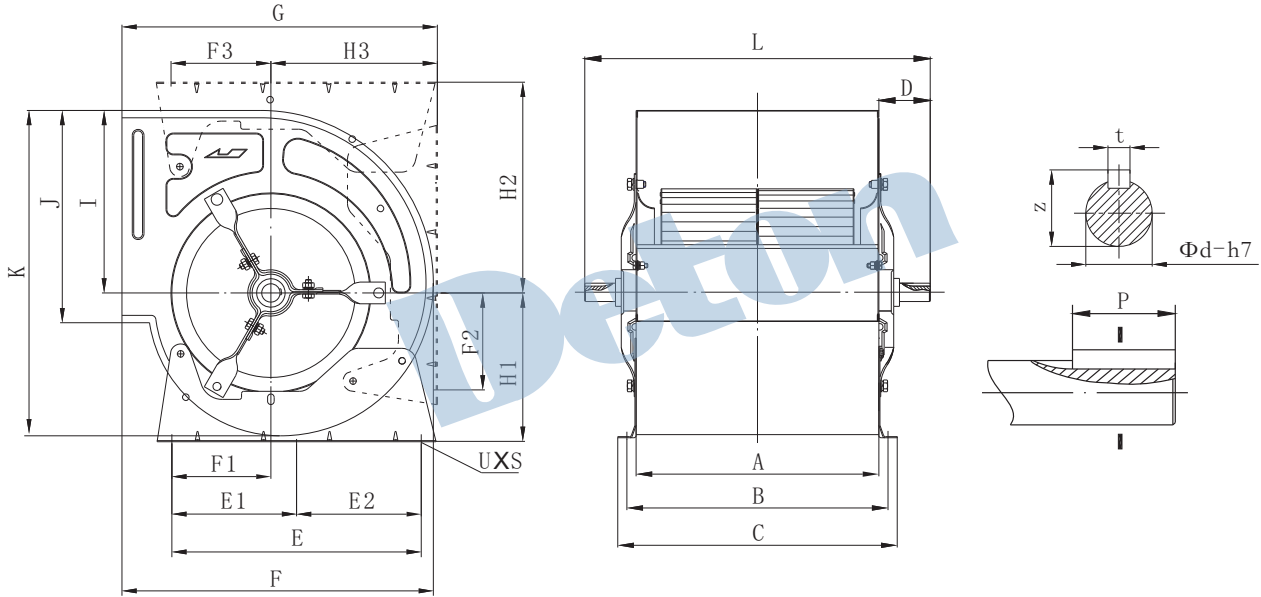
Air Density: 1.2 kg/m³



Performance certified is for installation type B-Free inlet, Ducted outlet. Performance ratings do not include the effects of appurtenances (accessories). Power rating kW does not include transmission losses. The A-weighted sound ratings shown have been calculated per AMCA International standard 301. Values shown are for inlet L_{wA} sound power levels for Installation type B: free inlet, ducted outlet.

MODEL DTC18-18 IS NOT LICENSED TO BEAR THE AMCA CERTIFIED RATINGS SEAL.

DTC-D dimension



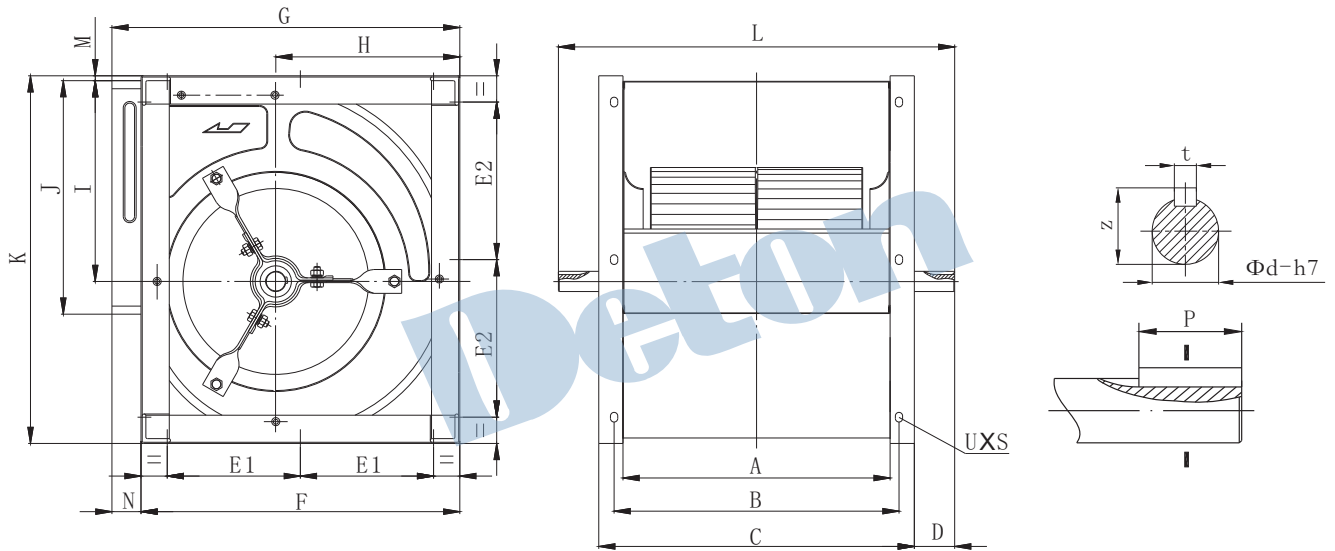
[mm]

Model	A	B	C	D	E	E1	E2	F	F1	F2	F3	G	H1	H2	H3	I	J	K	L	Φd	t	z	P	UXS
7-7	259	279	299	61	180	/	/	312	90	90	90	316	164	224	164	192	228	328	380	20	6	22.8	32	11X16
8-8	287	312	337	67	224	/	/	346	112	112	112	348	181	245	184	216	256	364	420	20	6	22.8	32	11X16
9-7	232	257	282	70	300														372	20	6	22.8	32	11X16
9-9	298	323	348	70	300	135	165	380	123	124	119	384	178	253	199	216	262	389	438	20	6	22.8	32	11X16
																								25
10-8	265	290	315	70	340	170	170	424	135	132	136	430	198	287	227	249	289	443	405	25	8	28.3	32	11X16
10-10	331	356	381	70		471	25	8	28.3	32	11X16													
12-9	309	334	359	70	408	189	219	491	161	153	161	496	232	332	266	294	341	521	449	25	8	28.3	32	11X16
12-12	395	420	445	70		535	25	8	28.3	32	11X16													
15-11	373	398	423	100	495														573	25	8	28.3	50	11X16
						232	263	568	201	211	197	573	272	380	309	342	404	609	671	30	8	33.3	50	11X16
15-15	471	496	521	100	495														671	25	8	28.3	50	11X16
																								30
18-13	430	455	480	100	606														630	25	8	28.3	50	11X16
						318	288	684	278	283	262	690	340	457	376	415	478	739	757	30	8	33.3	50	11X16
18-18	557	582	607	100	606														757	25	8	28.3	50	11X16
																								30

说明：所有尺寸允许偏差±4mm

Note: Overall dimension tolerance arange ±4mm .

DTC-K dimension



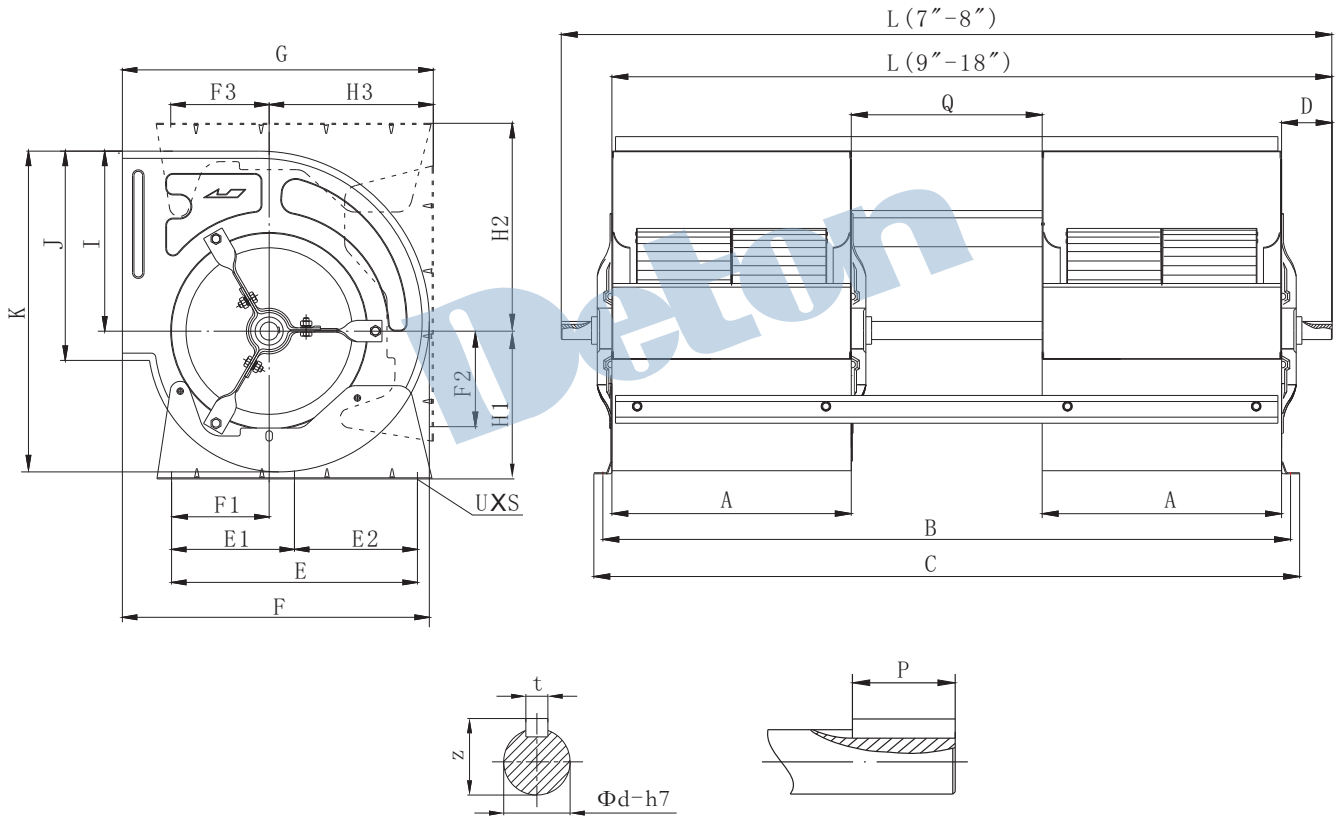
[mm]

Model	A	B	C	D	E1	E2	F	G	H	I	J	K	M	N	L	ϕd	t	z	P	UXS
7-7	259	279	299	63	90	90	294	330	178	192	228	336	6	36	425	20	6	22.8	32	9X12
8-8	287	312	337	62	112	112	312	348	184	216	256	370	6	36	460	20	6	22.8	32	9X12
9-7	232	254	292	50	137	162	349	385	200	216	262	399	6	36	392	20	6	22.8	32	9X12
9-9	298	320	358	50	165	195	395	431	228	249	289	455	6	36	458	20	6	22.8	32	9X12
10-8	265	287	325	50	185	222	461	497	267	294	341	533	6	36	425	25	8	28.3	32	9X12
10-10	331	353	391	50																
12-9	309	339	369	50	225	266	539	575	311	342	404	621	6	36	469	25	8	28.3	32	11X16
12-12	395	425	455	50																
15-11	373	403	433	70	272	320	654	690	376	415	478	751	6	36	573	25	8	28.3	50	11X16
15-15	471	501	531	70	272	320	654	690	376	415	478	751	6	36	671	25	8	28.3	50	11X16
18-13	430	470	510	80	272	320	654	690	376	415	478	751	6	36	670	25	8	28.3	50	11X16
18-18	557	597	637	80	272	320	654	690	376	415	478	751	6	36	797	25	8	28.3	50	11X16

说明：所有尺寸允许偏差 $\pm 4mm$

Note: Overall dimension tolerance arange $\pm 4mm$.

DTC-2D dimension



[mm]

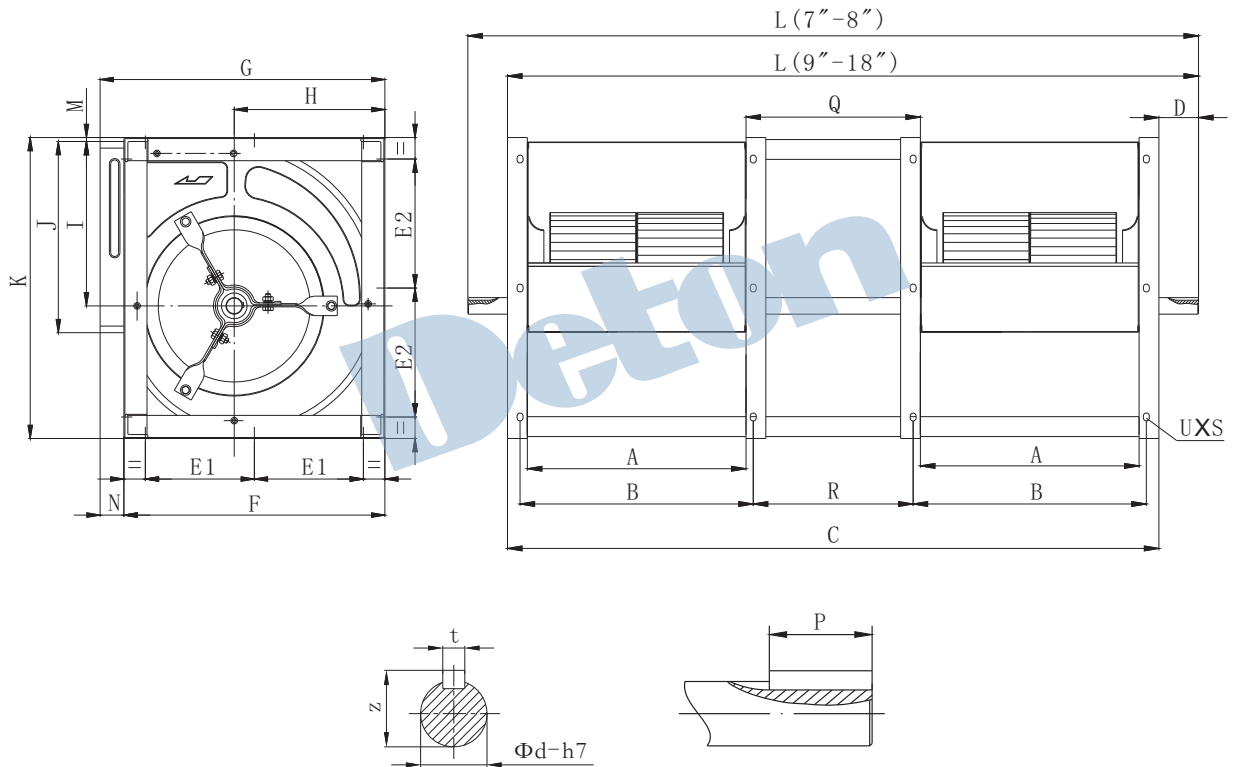
Model	A	B	C	D	E	E1	E2	F	F1	F2	F3	G	H1	H2	H3	I	J	K	L	Q	Φd	t	z	P	UXS
7-7	259	722	742	70	180	/	/	312	90	90	90	316	164	224	164	192	228	328	842	184	20	6	22.8	50	11X16
8-8	287	813	838	67	224	/	/	346	112	112	112	348	181	245	184	216	256	364	978	214	20	6	22.8	50	11X16
9-7	232	673	698	90	300	135	165	380	123	124	119	384	178	253	199	216	262	389	738	184	20	6	22.8	40	11X16
9-9	298	865	890	90															930	244	25	8	28.3		
10-8	265	769	794	90	340	170	170	424	135	132	136	430	198	287	227	249	289	443	833	214	25	8	28.3	40	11X16
10-10	331	951	976																1015	264	25	8	28.3		
12-9	309	887	912	110	408	189	219	491	161	153	161	496	232	332	266	294	341	521	972	244	25	8	28.3	40	11X16
12-12	395	1139	1164	110															1224	324	30	8	33.3		
15-11	373	1065	1090	130	495	232	263	568	201	211	197	573	272	380	309	342	404	609	1170	294	30	8	33.3	80	11X16
15-15	471	1351	1376	130															495	1456	384	30	8		
18-13	430	1228	1253	140	606	318	288	684	278	283	262	690	340	457	376	415	478	739	1343	343	35	10	38.3	80	11X16
18-18	557	1597	1622																1712	458	35	10	38.3		

说明：7-7和8-8标准双风机为双伸出轴。

所有尺寸允许偏差 $\pm 4mm$ 。

Note: Overall dimension tolerance arange $\pm 4mm$.

DTC-2K dimension



[mm]

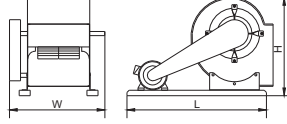
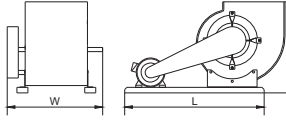
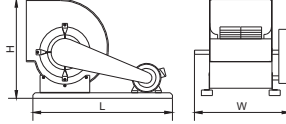
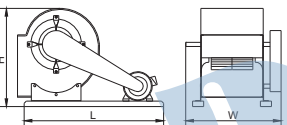
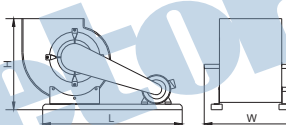
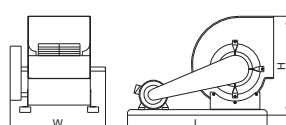
Model	A	B	C	D	E1	E2	F	G	H	I	J	K	M	N	L	Q	R	ϕd	t	z	P	UXS
7-7	259	279	742	70	90	90	294	330	178	192	228	336	6	36	882	184	164	20	6	22.8	50	9X12
8-8	287	312	838	70	112	112	312	348	184	216	256	370	6	36	978	214	189	20	6	22.8	50	9X12
9-7	232	254	708	60	137	162	349	385	200	216	262	399	6	36	768	184	162	20	6	22.8	40	9X12
9-9	298	320	900	60	165	195	395	431	228	249	289	455	6	36	960	244	222	25	8	28.3	40	9X12
10-8	265	287	804	60	185	222	461	497	267	294	341	533	6	36	1046	264	242	25	8	28.3	40	9X12
10-10	331	353	986	60	225	266	539	575	311	342	404	621	6	36	1254	324	294	30	8	33.3	40	11X16
12-9	309	339	922	80	225	266	539	575	311	342	404	621	6	36	1486	384	354	30	8	33.3	80	11X16
12-12	395	425	1174	80	225	266	539	575	311	342	404	621	6	36	1486	384	354	30	8	33.3	80	11X16
15-11	373	403	1100	100	272	320	654	690	376	415	478	751	6	36	1383	343	303	35	10	38.3	80	11X16
15-15	471	501	1386	100																		
18-13	430	470	1283	100																		
18-18	557	597	1652	100																		

说明：7-7和8-8标准双风机为双伸出轴。

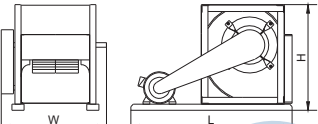
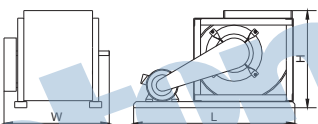
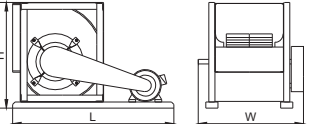
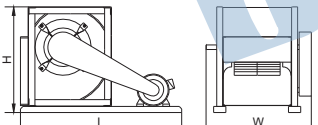
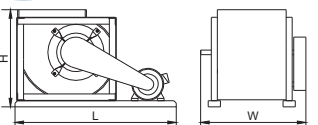
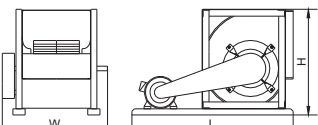
所有尺寸允许偏差±4mm。

Note: Overall dimension tolerance arange ±4mm .

DTC-D Overall Dimension

		0°				90°				180°			
左旋 LG													
右旋 RD													
型号 Model	电机 Motor	D	L	W	H	D	L	W	H	D	L	W	H
7-7	63	374	600	400	400	339	620	400	356	359	600	400	396
	71	379	620	400	400	365	660	400	356	365	620	400	396
	80	402	660	400	400	390	700	400	356	390	660	400	396
	90	463	740	400	400	414	740	400	356	454	740	400	396
8-8	63	388	620	450	433	355	660	450	368	370	620	450	437
	71	412	660	450	433	342	660	450	368	396	660	450	437
	80	434	700	450	433	367	700	450	368	420	700	450	437
	90	456	740	450	433	430	780	450	368	444	740	450	437

DTC-K Overall Dimension

		0°				90°				180°			
左旋 LG													
右旋 RD													
型号 Model	电机 Motor	D	L	W	H	D	L	W	H	D	L	W	H
7-7	63	366	600	398	376	334	620	398	363	355	600	398	376
	71	372	620	398	376	361	660	398	363	402	620	398	376
	80	396	660	398	376	385	700	398	363	428	660	398	376
	90	458	740	398	376	409	740	398	363	453	740	398	376
8-8	63	381	620	484	410	352	660	484	383	364	620	484	410
	71	405	660	484	410	378	660	484	383	391	660	484	410
	80	428	700	484	410	402	700	484	383	417	700	484	410
	90	450	740	484	410	426	780	484	383	441	740	484	410

DTC-D Overall Dimension

		0°				90°				180°			
		左旋 LG		右旋 RD		左旋 LG		右旋 RD		左旋 LG		右旋 RD	
型号 Model	电机中心高 Motor Size	D	L	W	H	D	L	W	H	D	L	W	H
9-7	71	432	700	402	466	388	700	402	424	414	700	402	434
	80	455	740	402	466	412	740	402	424	439	740	402	434
	90	476	780	402	466	435	780	402	424	462	780	402	434
	100	498	820	402	466	458	820	402	424	486	820	402	434
	112	517	860	402	466	538	920	402	424	508	860	402	434
9-9	71	423	700	468	466	388	700	468	424	414	700	468	434
	80	447	740	468	466	412	740	468	424	439	740	468	434
	90	469	780	468	466	435	780	468	424	462	780	468	434
	100	492	820	468	466	458	820	468	424	486	820	468	434
	112	512	860	468	466	538	920	468	424	508	860	468	434
10-8	71	465	740	435	521	440	780	435	470	439	740	435	487
	80	487	780	435	521	464	820	435	470	464	780	435	487
	90	507	820	435	521	486	860	435	470	487	820	435	487
	100	528	860	435	521	469	860	435	470	511	860	435	487
	112	565	920	435	521	548	960	435	470	551	920	435	487
10-10	80	487	780	501	521	464	820	501	470	464	780	501	487
	90	507	820	501	521	486	860	501	470	487	820	501	487
	100	528	860	501	521	469	920	501	470	511	860	501	487
	112	565	920	501	521	548	960	501	470	551	920	501	487
12-9	80	552	860	479	598	469	920	479	536	522	860	479	566
	90	591	920	479	598	509	920	479	536	564	920	479	566
	100	592	960	479	598	531	980	479	536	568	940	479	566
	112	614	1020	479	598	570	1020	479	536	627	985	479	566
	132	691	1100	479	598	655	1140	479	536	675	1100	479	566
12-12	80	552	860	565	598	469	920	565	536	522	860	565	566
	90	591	920	565	598	509	920	565	536	564	920	565	566
	100	592	960	565	598	531	980	565	536	568	960	565	566
	112	614	1020	565	598	570	1020	565	536	627	1020	565	566
	132	691	1100	565	598	655	1140	565	536	675	1100	565	566
15-11	80	596	920	603	687	533	980	603	613	557	940	603	654
	90	633	980	603	687	572	1020	603	613	598	980	603	654
	100	652	1020	603	687	593	1060	603	613	620	1020	603	654
	112	668	1060	603	687	611	1100	603	613	639	1060	603	654
	132	748	1180	603	687	674	1200	946	613	725	1180	603	654
15-15	80	596	920	701	687	533	980	701	613	557	940	701	654
	90	633	980	701	687	572	1020	701	613	598	980	701	654
	100	652	1020	701	687	593	1060	701	613	620	1020	701	654
	112	668	1060	701	687	611	1100	701	613	639	1060	701	654
	132	748	1180	701	687	674	1200	701	613	725	1180	701	654
18-13	90	729	1100	660	821	639	1140	660	730	684	1100	660	795
	100	747	1140	660	821	659	1200	660	730	705	1140	660	795
	112	762	1180	660	821	704	1250	660	730	723	1200	660	795
	132	838	1300	660	821	765	1350	660	730	806	1300	660	795
	160	884	1400	660	821	814	1450	660	730	858	1400	660	795
18-18	90	729	1100	787	821	639	1140	787	730	684	1100	787	795
	100	747	1140	787	821	659	1200	787	730	705	1140	787	795
	112	762	1180	787	821	704	1250	787	730	723	1200	787	795
	132	838	1300	787	821	765	1350	787	730	806	1300	787	795
	160	884	1400	787	821	814	1450	787	730	858	1400	787	795

DTC-K Overall Dimension

		0°				90°				180°			
		左旋 LG		右旋 RD		左旋 LG		右旋 RD		左旋 LG		右旋 RD	
型号 Model	电机中心高 Motor Size	D	L	W	H	D	L	W	H	D	L	W	H
9-7	71	423	700	402	439	382	700	402	425	414	700	402	439
	80	447	740	402	439	406	740	402	425	439	740	402	439
	90	469	780	402	439	429	780	402	425	462	780	402	439
	100	492	820	402	439	452	820	402	425	486	820	402	439
	112	512	860	402	439	532	920	402	425	508	860	402	439
9-9	71	423	700	468	439	382	700	468	425	414	700	468	439
	80	447	740	468	439	406	740	468	425	439	740	468	439
	90	469	780	468	439	429	780	468	425	462	780	468	439
	100	492	820	468	439	452	820	468	425	486	820	468	439
	112	512	860	468	439	532	920	468	425	508	860	468	439
10-8	71	454	740	435	495	435	780	435	471	440	740	435	495
	80	477	780	435	495	458	820	435	471	464	780	435	495
	90	498	820	435	495	480	860	435	471	487	820	435	495
	100	520	860	435	495	522	920	435	471	511	860	435	495
	112	559	920	435	495	542	960	435	471	551	920	435	495
10-10	80	477	780	501	495	458	820	501	471	464	780	501	495
	90	498	820	501	495	480	860	501	471	487	820	501	495
	100	520	860	501	495	522	920	501	471	511	860	501	495
	112	559	920	501	495	542	960	501	471	551	920	501	495
12-9	80	566	860	479	573	521	920	479	537	549	860	479	573
	90	606	920	479	573	504	920	479	537	591	920	479	573
	100	608	940	479	573	545	980	479	537	594	960	479	573
	112	632	985	479	573	564	1020	479	537	654	1020	479	573
	132	711	1100	479	573	649	1140	479	537	702	1100	479	573
12-12	80	566	860	565	573	521	920	565	537	549	860	565	573
	90	606	920	565	573	504	920	565	537	591	920	565	573
	100	608	960	565	573	545	980	565	537	594	960	565	573
	112	632	1020	565	573	564	1020	565	537	654	1020	565	573
	132	711	1100	565	573	649	1140	565	537	702	1100	565	573
15-11	80	582	920	603	661	546	980	603	615	577	940	603	661
	90	621	980	603	661	567	1020	603	615	598	980	603	661
	100	641	1020	603	661	587	1060	603	615	620	1020	603	661
	112	658	1060	603	661	605	1100	603	615	640	1060	603	661
	132	739	1180	603	661	669	1200	946	615	725	1180	603	661
15-15	80	582	920	701	661	546	980	701	615	557	940	701	661
	90	621	980	701	661	567	1020	701	615	598	980	701	661
	100	641	1020	701	661	587	1060	701	615	620	1020	701	661
	112	658	1060	701	661	605	1100	701	615	640	1060	701	661
	132	739	1180	701	661	669	1200	701	615	725	1180	701	661
18-13	90	713	1100	660	791	634	1140	660	730	681	1100	660	791
	100	732	1140	660	791	672	1200	660	730	702	1140	660	791
	112	748	1180	660	791	698	1250	660	730	740	1200	660	791
	132	826	1300	660	791	759	1350	660	730	804	1300	660	791
	160	874	1400	660	791	808	1450	660	730	856	1400	660	791
18-18	90	713	1100	787	791	834	1140	787	730	681	1100	787	791
	100	732	1140	787	791	672	1200	787	730	702	1140	787	791
	112	748	1180	787	791	698	1250	787	730	740	1200	787	791
	132	826	1300	787	791	759	1350	787	730	804	1300	787	791
	160	874	1400	787	791	808	1450	787	730	856	1400	787	791

DTC Series

运转极限Operational limits

			7-7	8-8	9-7	9-9	10-8	10-10	12-9	12-12	15-11	15-15	18-13	18-18
最大输入功率 Max Absorbed Power	D/K	kw	1	1.5	3	3	3	4	4	4	5.5	5.5	7.5	7.5
	2D	kw	2	3	6	6	6	8	8	8	11	11	15	15
	2K	kw	2	3	6	6	6	8	8	8	11	11	15	15
风机最高转速 Max Speed	D/K	rpm	2200	2200	2200	1800	1800	1600	1600	1400	1500	1100	1000	900
	2D	rpm	2000	2000	1800	1500	1600	1400	1400	1200	1200	900	800	700
	2K	rpm	2000	2000	1800	1500	1600	1400	1400	1200	1200	900	800	700
环境温度(最低-20℃) Temp. range (min. -20℃)	D/K	max. °C	40	40	40	40	40	40	40	40	40	40	40	40
	2D/2K	max. °C	40	40	40	40	40	40	40	40	40	40	40	40
叶轮 Wheel	直径diameter	mm			241	241	270	270	321	321	381	381	458	458
	重量weight	kg			2.1	2.5	3	4.1	5	6.2	6.6	8.1	11.5	14
	转动惯量 J	kgm ²			0.02	0.02	0.04	0.05	0.09	0.11	0.16	0.198	0.41	0.49
风机重量 Fan Weight	D	kg	6	7	10	11.5	13.5	15.5	16.5	19	25	30	35	43
	K	kg	8.5	9.5	10.2	11.7	13.7	15.7	17	19.5	26	31	36	44
	2D	kg	14	15.6	19.5	22.5	26	30	32	45	50	60	70	86
	2K	kg	20	24	20.3	23.5	27.3	32.4	34.4	46.5	52	62	72	88

