

拒绝虚假



13-48系列

13-48-HC 性能参数表

| 型号 | 转速 rpm | 风量 m ³ /h | 全压 Pa | 静压 Pa | 噪声 dB (A) | 电机功率 | 风机总重量 (kg) |
|-------|--------|----------------------|-------|-------|-----------|---------|------------|
| 4HC | 1250 | 5172 | 1055 | 960 | < 75 | 4kW-4 | 184 |
| | | 6034 | 1059 | 928 | | | |
| | | 6896 | 1035 | 860 | | | |
| | | 7241 | 1003 | 816 | | | |
| | | 7586 | 971 | 768 | | | |
| | 1450 | 6000 | 1420 | 1293 | < 79 | 5.5kW-4 | 202 |
| | | 7000 | 1425 | 1250 | | | |
| | | 8000 | 1393 | 1158 | | | |
| | | 8400 | 1350 | 1099 | | | |
| | | 8800 | 1307 | 1034 | | | |
| 4.5HC | 970 | 4222 | 757 | 717 | < 74 | 4kW-4 | 209 |
| | | 5375 | 814 | 749 | | | |
| | | 7134 | 875 | 760 | | | |
| | | 8968 | 836 | 654 | | | |
| | | 10486 | 764 | 515 | | | |
| | 1100 | 4787 | 974 | 982 | < 78 | 5.5kW-4 | 227 |
| | | 6093 | 1046 | 963 | | | |
| | | 8090 | 1125 | 977 | | | |
| | | 10169 | 1075 | 841 | | | |
| | | 11891 | 982 | 662 | | | |
| 5HC | 750 | 1546 | 442 | 439 | < 71 | 3kW-4 | 228 |
| | | 4639 | 530 | 499 | | | |
| | | 6186 | 558 | 501 | | | |
| | | 7732 | 544 | 450 | | | |
| | | 8505 | 512 | 406 | | | |
| | | 10052 | 446 | 296 | | | |
| | 970 | 2000 | 740 | 735 | < 76 | 5.5kW-4 | 257 |
| | | 6000 | 887 | 834 | | | |
| | | 8000 | 933 | 838 | | | |
| | | 10000 | 901 | 753 | | | |
| | | 11000 | 856 | 679 | | | |
| | | 13000 | 746 | 495 | | | |
| | 1100 | 2268 | 951 | 945 | < 80 | 7.5kW-4 | 270 |
| | | 6804 | 1140 | 1072 | | | |
| | | 9072 | 1199 | 1077 | | | |
| | | 11340 | 1158 | 968 | | | |
| 12474 | | 1103 | 873 | | | | |
| 5.6HC | 750 | 14742 | 959 | 636 | < 73 | 5.5kW-4 | 347 |
| | | 8505 | 740 | 673 | | | |
| | | 10052 | 759 | 665 | | | |
| | | 11598 | 747 | 622 | | | |
| | | 13144 | 705 | 545 | | | |
| | | 15000 | 595 | 387 | | | |
| | 970 | 16500 | 500 | 252 | < 78 | 7.5kW-4 | 360 |
| | | 4000 | 1031 | 1016 | | | |
| | | 8000 | 1118 | 1059 | | | |
| | | 11000 | 1238 | 1126 | | | |
| | | 13000 | 1270 | 1113 | | | |
| | | 15000 | 1249 | 1040 | | | |
| 17000 | 1179 | 911 | | | | | |



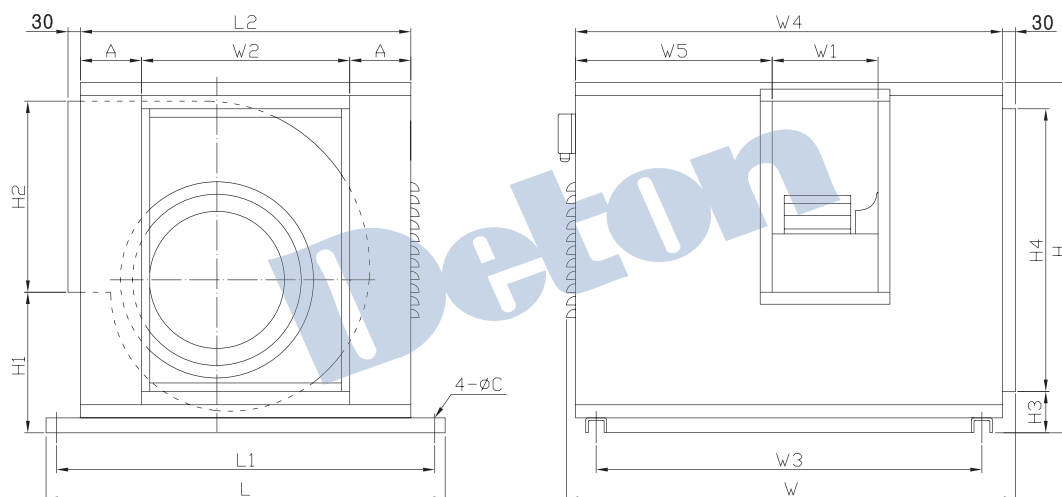
参数实测

13-48-HC 性能参数表

| 型号 | 转速 rpm | 风量 m ³ /h | 全压 Pa | 静压 Pa | 噪声 dB (A) | 电机功率 | 风机总重量 kg |
|-------|-----------|-------------------------|----------|----------|--------------|----------|-------------|
| 5.6HC | 1100 | 4536 | 1325 | 1306 | < 81 | 11kW-4 | 406 |
| | | 9072 | 1427 | 1362 | | | |
| | | 12474 | 1592 | 1448 | | | |
| | | 14742 | 1633 | 1431 | | | |
| | | 17010 | 1606 | 1337 | | | |
| | | 19278 | 1516 | 1171 | | | |
| 6.3HC | 680 | 5667 | 679 | 660 | < 77 | 7.5kW-4 | 446 |
| | | 10389 | 783 | 722 | | | |
| | | 13222 | 804 | 703 | | | |
| | | 15111 | 785 | 654 | | | |
| | | 17944 | 725 | 540 | | | |
| | | 19833 | 695 | 470 | | | |
| | 900 | 7500 | 1189 | 1156 | < 81 | 11kW-4 | 451 |
| | | 13750 | 1372 | 1264 | | | |
| | | 17500 | 1409 | 1232 | | | |
| | | 20000 | 1375 | 1145 | | | |
| | | 23750 | 1270 | 946 | | | |
| | | 26250 | 1218 | 823 | | | |
| 970 | 8083 | 1381 | 1340 | < 82 | 15kW-4 | 464 | |
| | 14819 | 1593 | 1468 | | | | |
| | 18861 | 1637 | 1462 | | | | |
| | 21555 | 1597 | 1330 | | | | |
| | 25500 | 1475 | 1099 | | | | |
| | | | | | | | |
| 7HC | 600 | 7272 | 712 | 694 | < 79 | 11kW-4 | 565 |
| | | 12727 | 783 | 728 | | | |
| | | 18181 | 803 | 690 | | | |
| | | 23636 | 734 | 544 | | | |
| | | 27272 | 636 | 383 | | | |
| | | | | | | | |
| | 660 | 8000 | 862 | 840 | < 82 | 15kW-4 | 565 |
| | | 14000 | 948 | 881 | | | |
| | | 20000 | 971 | 835 | | | |
| | | 26000 | 888 | 658 | | | |
| | | 30000 | 770 | 463 | | | |
| | | | | | | | |
| 700 | 8484 | 969 | 945 | < 84 | 18.5kW-4 | 606 | |
| | 14848 | 1066 | 991 | | | | |
| | 21212 | 1093 | 939 | | | | |
| | 27575 | 999 | 740 | | | | |
| | 31818 | 866 | 521 | | | | |
| | | | | | | | |
| 8HC | 640 | 18000 | 994 | 929 | < 84 | 18.5kW-4 | 708 |
| | | 22000 | 1059 | 962 | | | |
| | | 26000 | 1092 | 957 | | | |
| | | 30000 | 1082 | 902 | | | |
| | | 33290 | 1031 | 809 | | | |
| | | | | | | | |
| | 680 | 19125 | 1122 | 1049 | < 86 | 22kW-4 | 726 |
| | | 23375 | 1196 | 1086 | | | |
| | | 27625 | 1233 | 1080 | | | |
| | | 31875 | 1222 | 1018 | | | |
| | | | | | | | |
| | | 35370 | 1164 | 913 | | | |

说明:1.性能参数表中的数据是①~⑥号风口方向的性能参数, ⑦~⑩号风口方向的压力值比其低17%。

13-48-HC 外形安装尺寸示意图



单位: mm

| 机号 | 外形尺寸 | | | | 进风口 | | 出风口 | | 地脚孔尺寸 | | | 辅助尺寸 | | | | | | 重量 kg |
|-------|------|------|----------|----------|------|------|------|------|-------|------|------|------|-----|----------|----------|-----|----|-------|
| | 长 L | 宽 W | 高 H | | 横 W2 | 竖 H4 | 横 W1 | 竖 H2 | L1 | W3 | L2 | W4 | W5 | H1 | | H3 | C | |
| | | | ②⑤ 风口 | 其他 风口 | | | | | | | | | | ③⑥ ⑧⑩ | ①④ ⑦⑨ | | | |
| 4HC | 960 | 1180 | 865 | 835 | 500 | 670 | 255 | 453 | 910 | 1040 | 798 | 1140 | 585 | 337 | 80 | 101 | 16 | 140 |
| 4.5HC | 1060 | 1250 | 965 | 935 | 570 | 770 | 283 | 507 | 1010 | 1110 | 898 | 1210 | 585 | 385 | 80 | 101 | 16 | 165 |
| 5HC | 1250 | 1420 | 1120 | 1090 | 650 | 850 | 318 | 568 | 1190 | 1260 | 1050 | 1380 | 620 | 433 | 128 | 140 | 16 | 240 |
| 5.6HC | 1400 | 1600 | 1270 | 1240 | 750 | 1000 | 358 | 638 | 1340 | 1440 | 1200 | 1560 | 714 | 503 | 138 | 140 | 16 | 290 |
| 6.3HC | 1500 | 1710 | 1370 | 1340 | 850 | 1100 | 403 | 713 | 1420 | 1550 | 1300 | 1670 | 758 | 525 | 140 | 140 | 18 | 365 |
| 7HC | 1600 | 1840 | 1473 | 1443 | 950 | 1200 | 455 | 768 | 1520 | 1670 | 1400 | 1800 | 777 | 608 | 110 | 143 | 18 | 460 |
| 8HC | 1700 | 2010 | 1573 | 1543 | 1030 | 1300 | 505 | 907 | 1620 | 1840 | 1500 | 1970 | 827 | 574 | 105 | 143 | 18 | 555 |

说明:

1. 上图所示为③号风口方向示意图。
2. 表中重量数据不包含电机重量，风机总重量等于上表中重量加上配用电机的重量。
3. 图中地脚孔尺寸仅供参考，不能作为精确定位用。